



BLILEY ELECTRIC COMPANY

2545 West Grandview Blvd.
Erie, PA 16506

Phone: (814) 838-3571
FAX: (814) 833-2712

Web: www.bliley.com
E-Mail: info@bliley.com

This is a preliminary Specification. An exact Part number and Finalized Specification will be created at the point of order.

Bliley P/N: NV45Gxxxx

Type: SC Cut Crystal OCXO with Electrical Frequency Adjust

Frequency: 13.0 MHz

Output:

- a. Type TTL or HCMOS
- b. Levels "0" < 0.1(Vs)
"1" > 0.9(Vs)
- c. Load 100k Ohm // 15 pF
- d. Rise / Fall Time <6 ns (10% to 90%)
- e. Duty Cycle 50% ±5% @ 50% level

Frequency Stability:

- a. Temperature (Standard) ± 10 ppb max over 0°C to +50°C
- (Optional) ± 5 ppb max over 0°C to +50°C (Stratum 3E)
- (Optional) ± 50 ppb max over -20°C to +70°C
- (Optional) ± 20 ppb max over -20°C to +70°C

NOTE: Additional Temperature Ranges and Stability options are available – Please consult the factory about your exact needs.

- b. Aging: ± 1.0 ppb/day max
± 0.3 ppm/year max
± 1.0 ppm/10 years max

Warm-up: ± 0.10 ppm of final frequency after 5 minutes at +25°C

Phase Noise:

(Consult Factory for Improved Phase Noise)

- Typical
- 115 dBc/Hz at 10 Hz
 - 145 dBc/Hz at 100 Hz
 - 155 dBc/Hz at 1 KHz
 - 160 dBc/Hz at 10 KHz
 - 160 dBc/Hz at 100 KHz

Release Date: **12-3-04**

Specification No.	Revision	Sheet #
xxxx		1 OF 3

Voltage Tuning: +/- 1 ppm; min, 0 to +4.0 Volts positive slope

Power Supply: +5.0 Vdc \pm 5 %
600 mA max at turn-on
1.25 Watts typical stabilized +25°C

Operating Temperature Range:
a. Standard 0°C to +50°C
b. Optional -20°C to +70°C

NOTE: Extended Temperature ranges are available – Please consult the factory about your exact needs.

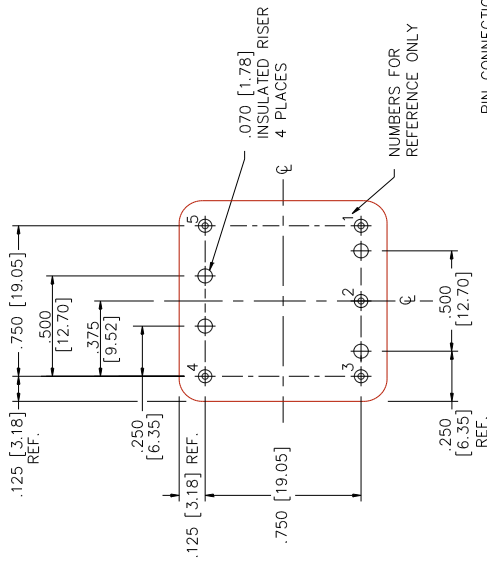
Storage Temperature Range: -55°C to +85°C

Package Style: 26.16 x 26.16 x 12.57 mm
See attached outline drawing

NOT TO SCALE

Specification No.	Revision	Sheet #
XXXX		2 OF 3

REVISION			
LET.	DESCRIPTION	DATE	BY
A	INSULATED RISERS WERE CENTERED @ .450 SQUARE. LEAD DIA. WAS .018	8-8-2000	



PIN CONNECTIONS

1. OUTPUT
2. REF & CASE GROUND
3. VOLTAGE CONTROL
4. N/C
5. + VDC

DO NOT SCALE PRINT, UNLESS OTHERWISE SPECIFIED ALL DIMENSIONS ARE IN INCHES (MILLIMETERS)		Holes ± .002		Angles ± 1°		Inches ± .015 (xx ± 0.8)		Millimeters ± .05 (xx ± 0.8)	
MATERIAL:		SHOP TYPE		SUPERSEDES		DR:		CHKD:	
FINISH:		CLINTON L. LODGE		AP:		AP:		AP:	
DO NOT SCALE PRINT, UNLESS OTHERWISE SPECIFIED ALL DIMENSIONS ARE IN INCHES (MILLIMETERS)		Holes ± .002		Angles ± 1°		Inches ± .015 (xx ± 0.8)		Millimeters ± .05 (xx ± 0.8)	
MATERIAL:		SHOP TYPE		SUPERSEDES		DR:		CHKD:	
FINISH:		CLINTON L. LODGE		AP:		AP:		AP:	

BLILEY ELECTRIC CO.
2545 WEST GRANDVIEW BLVD.
ERIE, PENNSYLVANIA 16506

OUTLINE DRAWING
NV45G

SIZE	FSDM NO.	DRAWING NO.	REVLET.
B	71034	811536	A
SCALE:	DRS	DATE DRAWN	1-17-2000
2:1			



ATTENTION
Static Sensitive
Devices
Handle only at
Static Safe Work
Stations

NOT TO SCALE

Specification No.	Revision	Sheet #
XXXX		3 OF 3

PE200-1