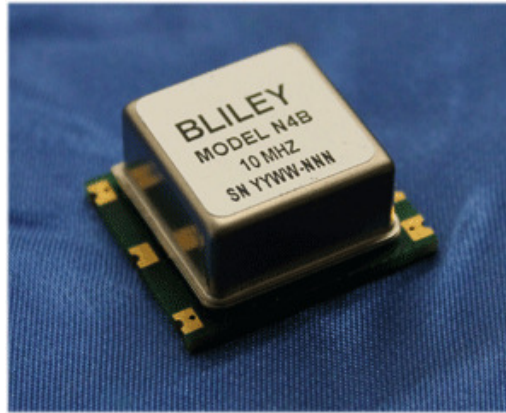


Description:

The N4B Series OCXO is designed specifically for surface mount applications. This 20mm square package is less than 12mm high and offers excellent performance

The N4B Series OCXO are an excellent choice for Network and Timing Applications.



Features:

- Excellent Frequency vs. Temperature Stability
- Available with +3.3VDC or +5VDC supply voltage
- Output Level LVCMOS or HCMOS
- EFC for precision frequency setting
- RoHS 5
- Available frequency range 8MHz to 30MHz.

Phase Noise:

Frequency Offset	Option I Square Wave
1 Hz	-85 dBc/Hz
10 Hz	-115 dBc/Hz
100 Hz	-135 dBc/Hz
1 KHz	-145 dBc/Hz
10 KHz	-150 dBc/Hz
100 KHz	-155 dBc/Hz

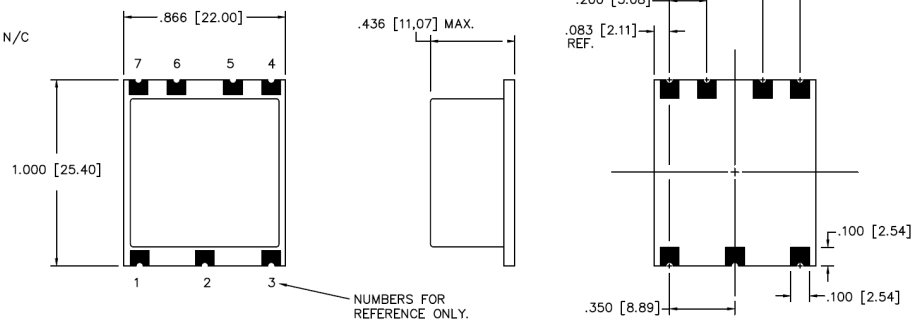
Supply Voltage & Power Consumption:

Supply Voltage	3.3V +/-5%	5V +/-5%
Power Consumption	3.0W Startup Power 1.2W Steady State	3.3W Startup Power 1.5W Steady State
Product Code	C	D

PIN CONNECTIONS

1. VOLTAGE CONTROL OR N/C
2. VREF. OR N/C
3. + VDC
4. OUTPUT
5. N/C
6. RF & CASE GROUND
7. RF & CASE GROUND

INCHES [MM]



Output Waveform:

LVC MOS Type 3	Level '0' 0.3V Max Level '1' 2.8 to 3.3V	< 4nSec Rise/Fall Time	50 +/-5% Duty Cycle	3.3V Supply Only
HCMOS Type 4	Level '0' .5V Max Level '1' 3.8 to 5V	< 4nSec Rise/Fall Time	50 +/-5% Duty Cycle	5V Supply Only

Operating Temperature and Frequency Stability:

Temp Range Code	Operating Temperature	Stability Code +/- 10 ppb	Stability Code +/-5ppb	Stability Code +/-2ppb
2	0 to +70°C	N/A	N/A	K
3	-20 to +70°C	N/A	A	N/A
5	-40 to +85°C	B	N/A	N/A

Pulling Range (Positive Slope):

Supply 5Vdc	Tuning Range 0 to 5Vdc on Vcontrol	.7ppm min to 2ppm max	No EFC
Supply 3.3Vdc	Tuning Range 0 to 2.8Vdc on Vcontrol	.7ppm min. to 2ppm max.	No EFC
	Product Code	L	A

Aging: (typical at 10 MHz after 30 days continuous operation)

Frequency	Timeframe	Aging
10 MHz	1 Year	Less than .1ppm

Voltage Reference (available only with I phase noise)

Supply Voltage	Reference Voltage	Configuration Option Code
3.3Vdc	2.8Vdc	Add V to end of configuration No
5Vdc	4Vdc	Add V to end of configuration No

Ordering Options:

Model #	Phase Noise	Operating Temp	Freq vs. Temp Stability	Supply Volt	Output Type	EFC	Frequency	Options
N4B	I	2	B	C	3	L	10M	V
		3	A	D	4	A		
		5	K					

Part number format N4B-LNL-LNL-10M

or

N4B-LNL -LNL-10M-V (add -V for Vref Option)