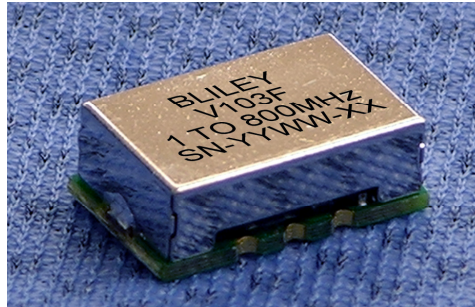


14.0 mm x 9.0 mm VCXO

V103F series

Description:

The V103G Voltage Controlled Crystal Oscillator (VCXO) Series products provide a wide range of options in temperature stability, pullability, and operating frequency range in a 9.0mm x 14.0 mm FR4 SMD package.



Features:

- Available in frequencies from 1.0MHz to 800 MHz.
- Tri-state Enable/Disable
- SMD package
- PECL / LVDS output available
- RoHS-6/Leadfree compliant

Frequency Range

Frequency
1 to 800 MHz

Operating Temperature

Operating Temperature	Product Code
-10 to +60C	A
0 to +70C	B
-20 to 70C	C
-40 to 85C	D

Frequency Stability

Freq. Stability	Product Code
+/- 25 ppm	A
+/- 50 ppm	B
+/- 100 ppm	C

Frequency stability includes 25C tolerance, drift over temperature, change versus voltage and load, 20 year aging, shock and vibration

Aging: (typical at 100MHz after 30 days continuous operation)

Frequency	Timeframe	Aging
100MHz	Per Year	+/- 3.0 ppm

Supply Voltage (Vs):

Power Supply (Vs)	3.3 Vdc +/-5%	5.0 Vdc +/-5%
Product Code	A	B

Supply Voltage Sensitivity (+/- 5%) : +/- 1 ppm max. Frequency change

Frequency Pulling Range:

3.3 volt Supply		5.0 volt Supply	
1.65VDC ±1.35V	Product Code	2.5VDC±2.0V	Product Code
+/-50 ppm min	A	+/-50 ppm min	C
+/-100 ppm min	B	+/-100 ppm min	D

Current Consumption (I_{DD}):

Frequency Range (MHz)	I _{DD} (at 3.3V)
	PECL / LVDS
1.0 to 800.000	mA
	100 / 80

Environmental:

Storage Temperature	-55 to +125 °C
---------------------	----------------

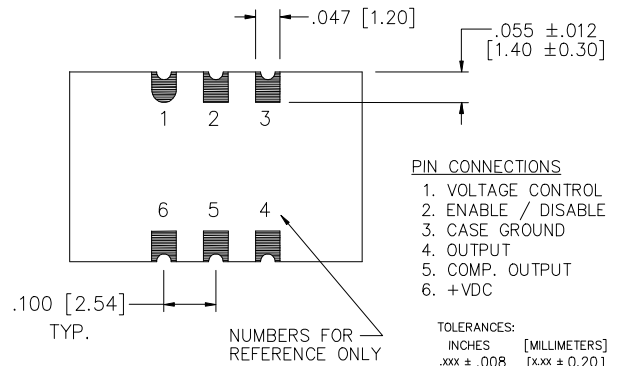
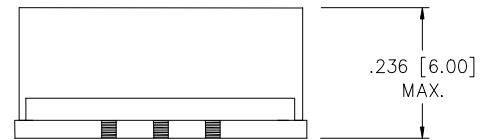
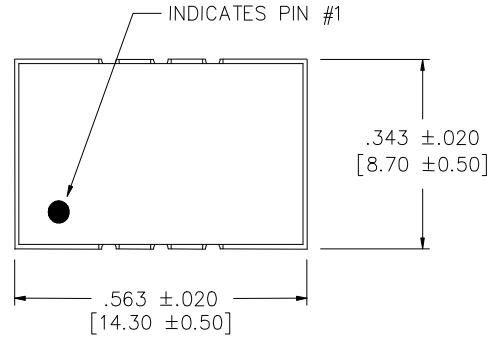
Output Waveform:

	PECL	LVDS
Product Code	A	B
	At 3.3 V	At 3.3 V
Output Logic 1	2.275Vmin	1.6Vmax
Output Logic 0	1.680Vmax	0.9Vmin
Rise/Fall Time (nS)	1 max	1 max

Start-up Time: 3 mS max.

Tri-state function Pin 2:

Pin 2 = Output Active Open or with 2.5 V or greater.



Ordering Options:

Product Family	Operating Temperature	Frequency Stability	Output Type	Supply Voltage	Frequency Pull Range	Operating Frequency
V103F	A	A	A	A	A	XXX.XXXMHz
	B	B	B	B	B	XXX.XXXMHz
	C	C			C	XXX.XXXMHz
	D				D	XXX.XXXMHz

↑ V103F ↑ D ↑ A ↑ A ↑ B ↑ C ↑ 100.000MHz

Part Number Build Example

****Consult Bliley sales if other options required**

Contact Bliley Technologies with Product Selection Code from Ordering Options Section above.